



SPARE PARTS CATALOGUE
ERSATZTEILKATALOG
CATALOGUE PIECES DETACHEES
CATALOGO PARTI RICAMBIO
CATALOGO DE PIEZAS DE RECAMBIO
CATALOGO PECAS, DE REPOSICAO

Catalogo parti di ricambio valido
dalla matricola 4364530 ad oggi (29/10/2021)

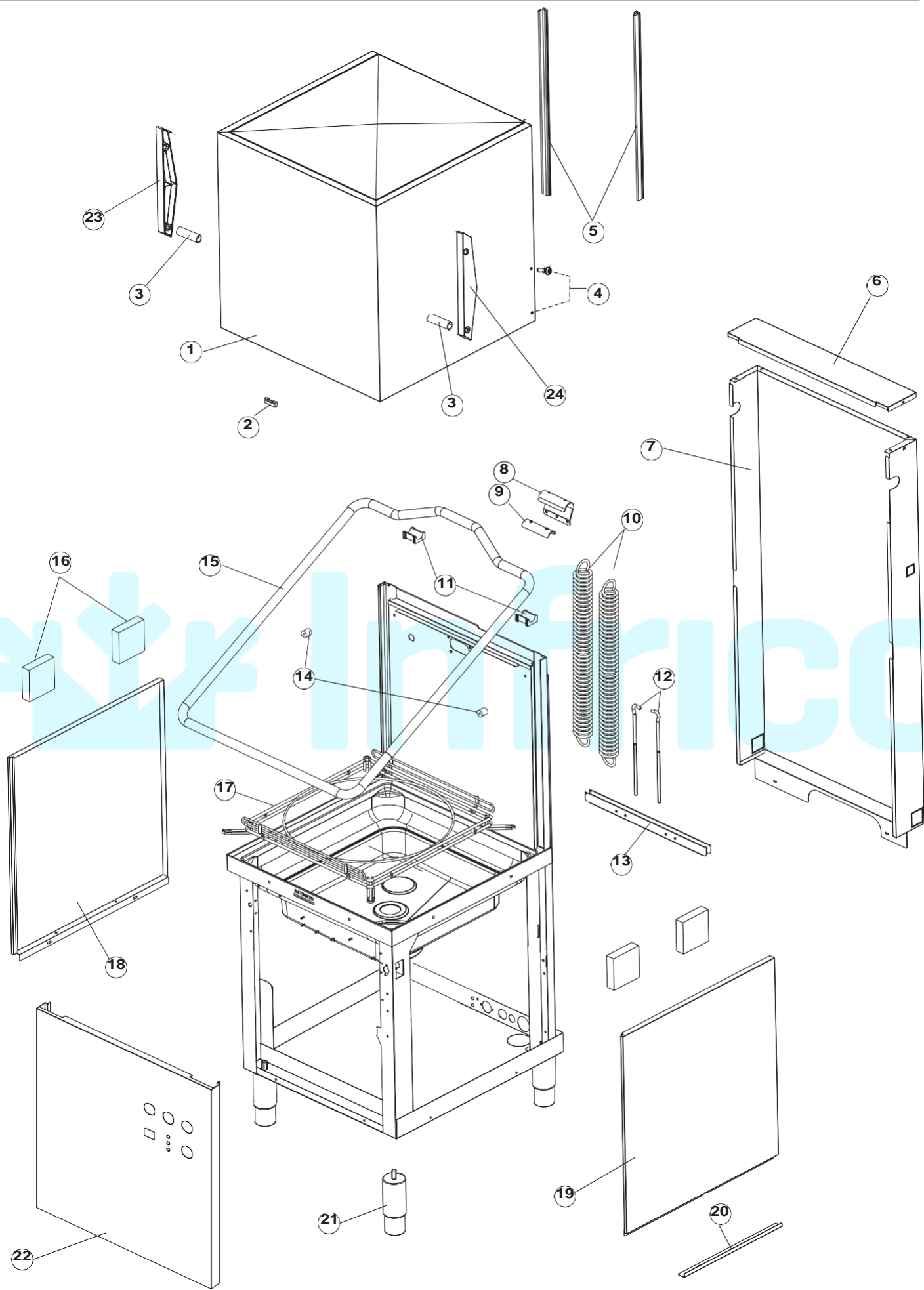
Catalogue pieces detachees
du numero de Série n. 4364530 jusqu'à aujourd'hui (29/10/2021)

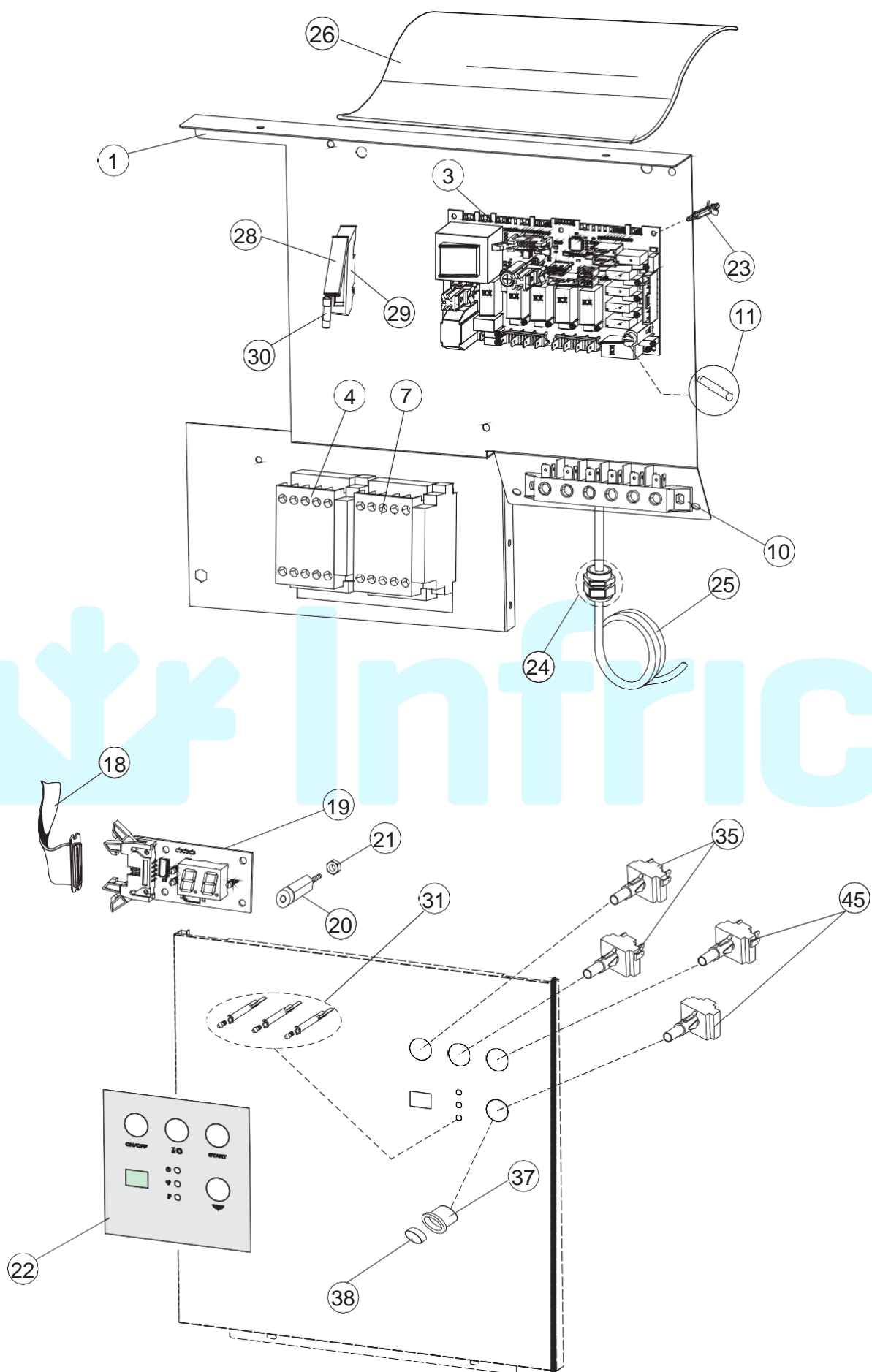
Ersatzteilkatalog
gültig ab Serien-Nr. 4364530 bis heute (29/10/2021)

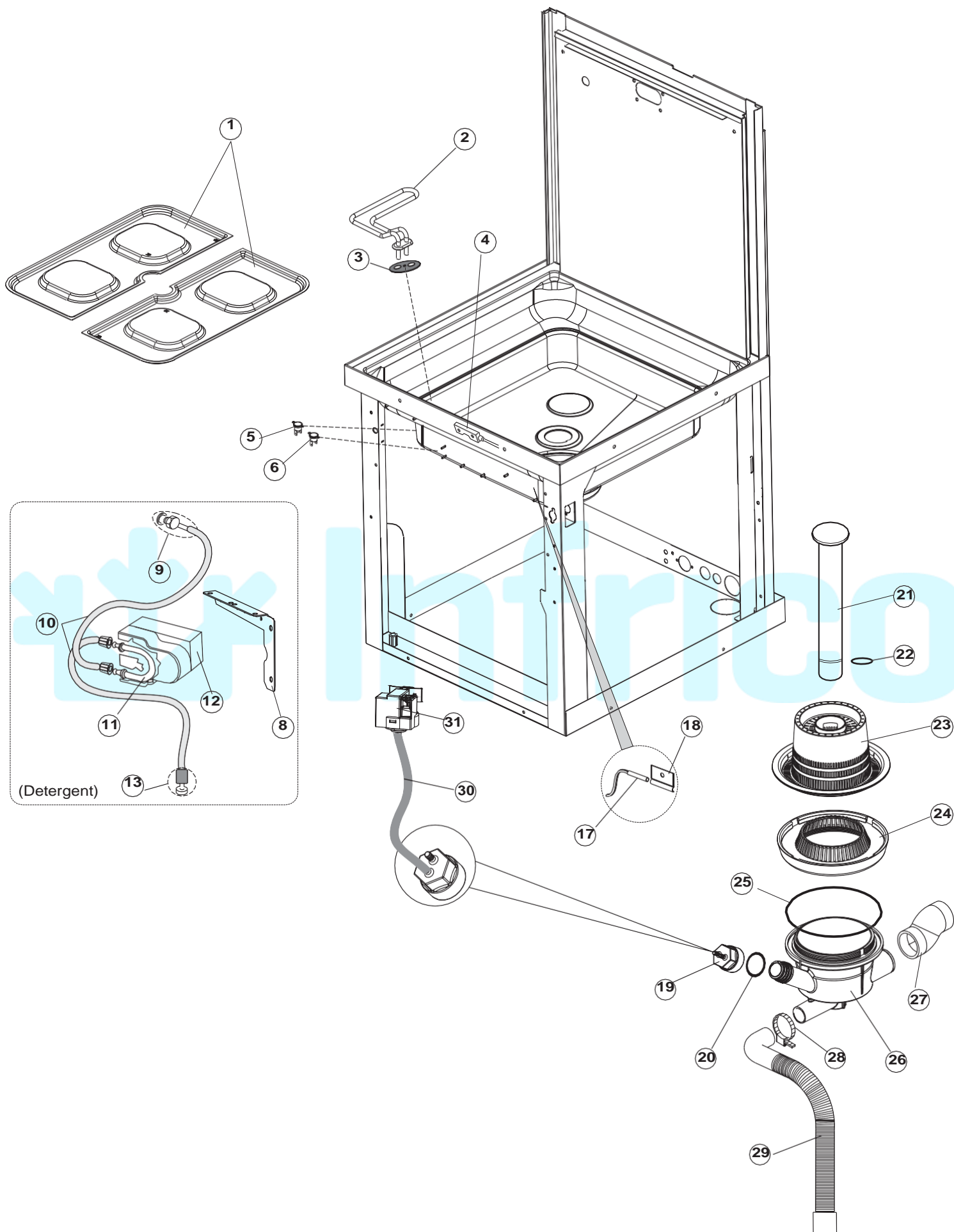
Spare parts catalogue
valid from serial no. 4364530 up today (29/10/2021)

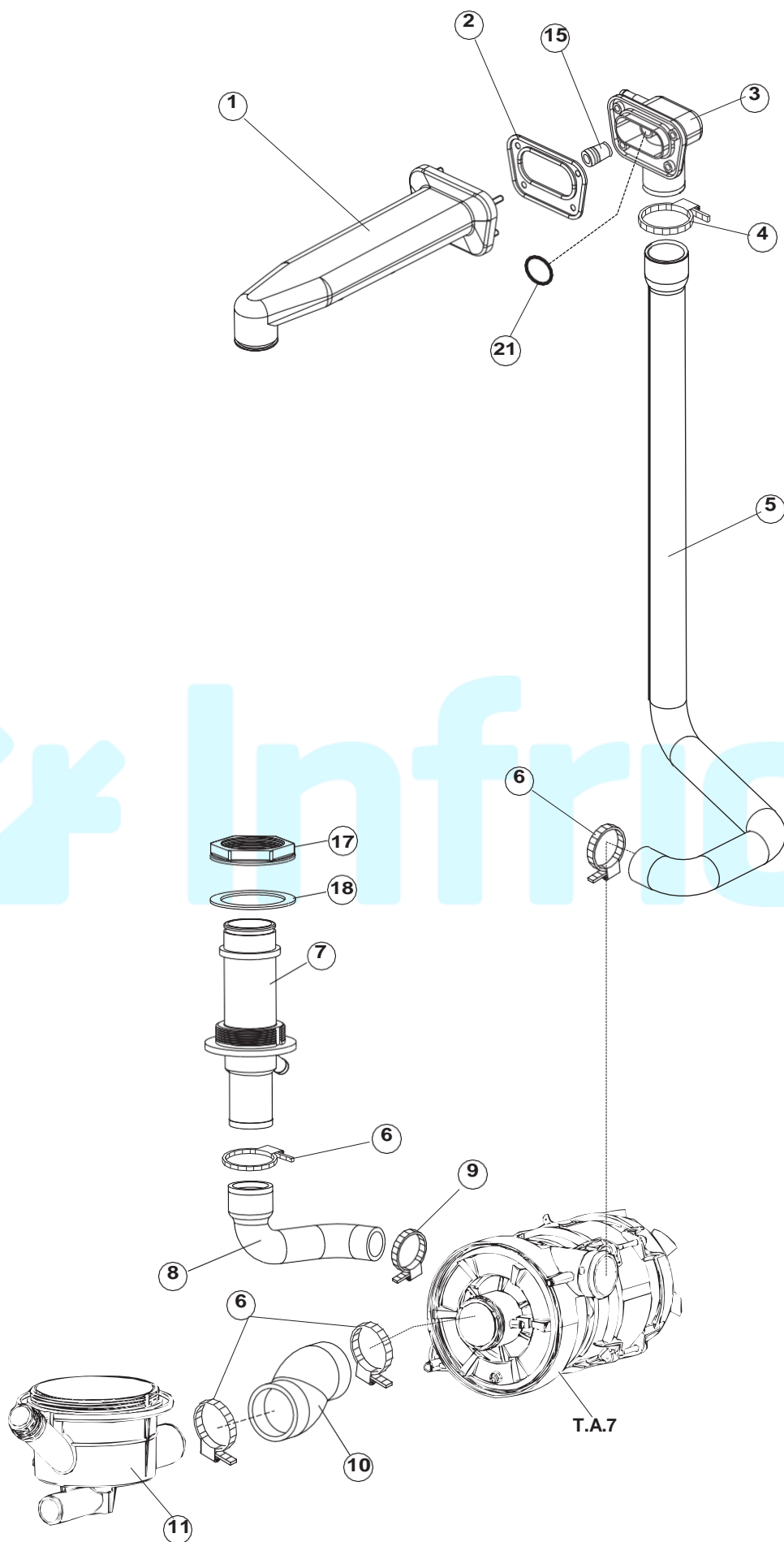
Catálogo de peças de reposição
válido do número de série 4364530 até hoje (29/10/2021)

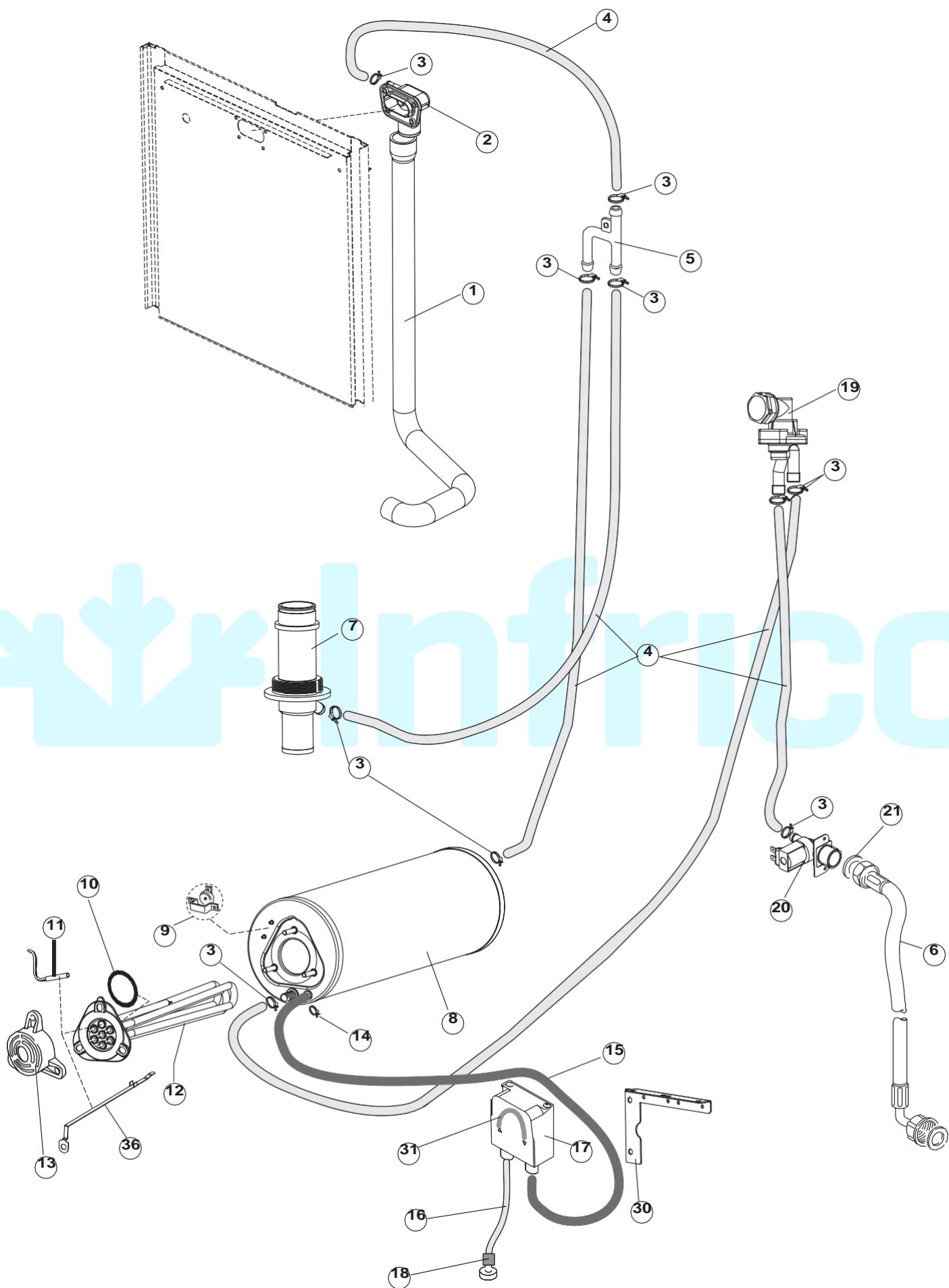
LCP4550

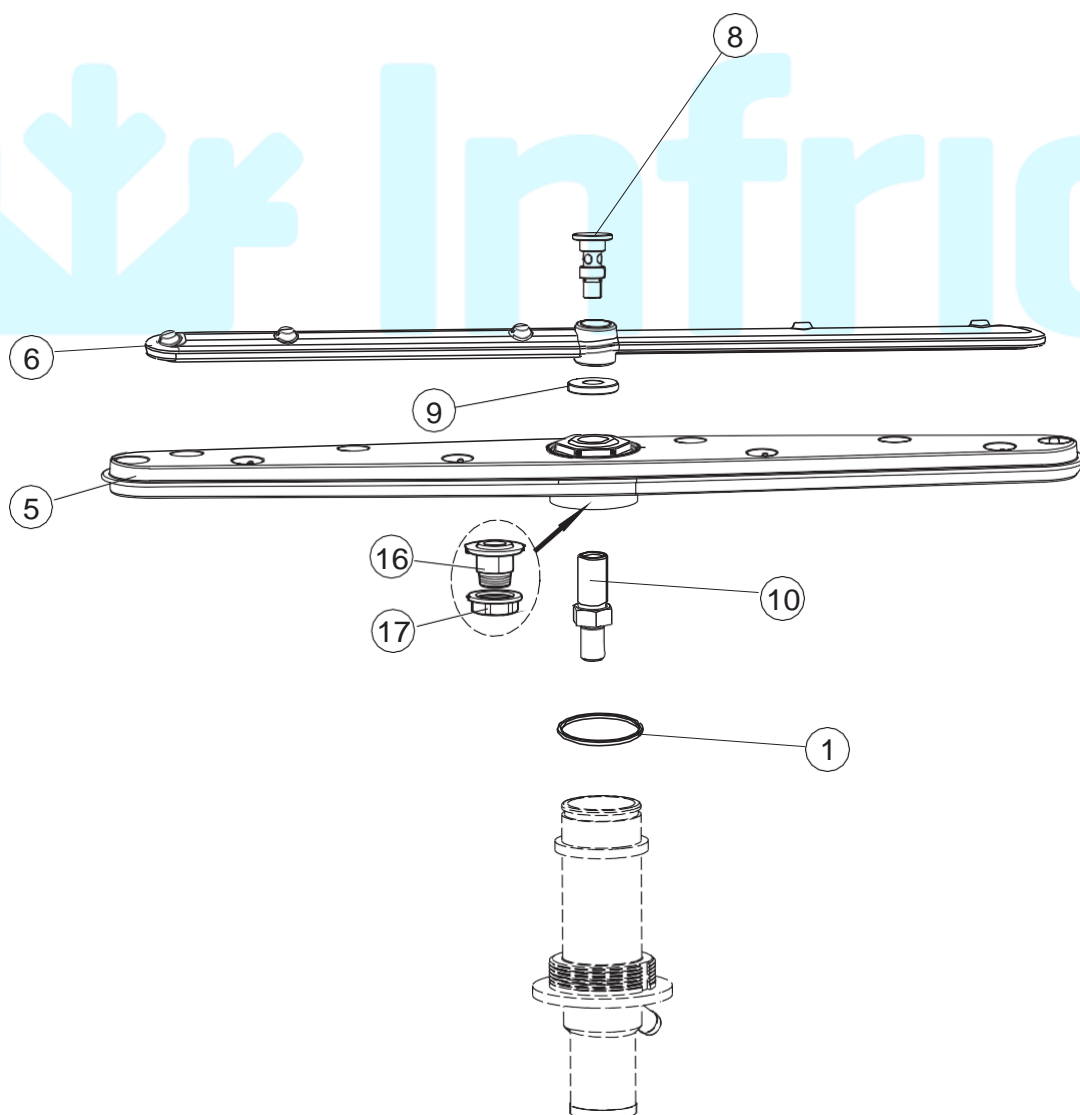
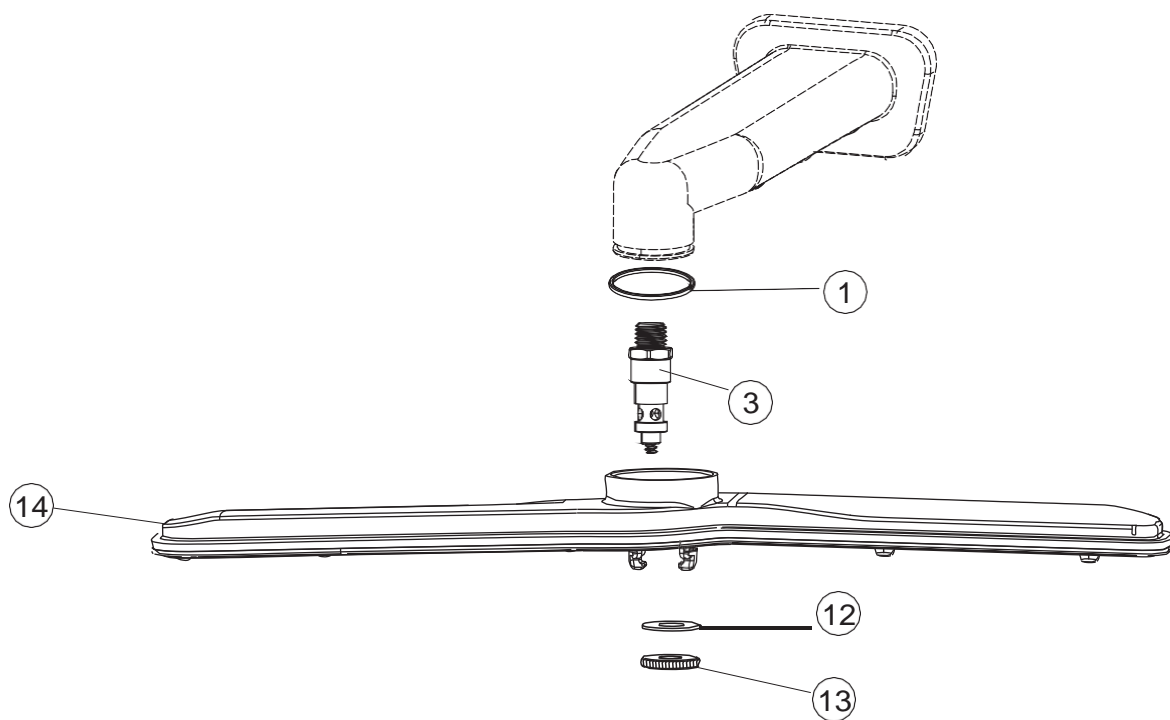


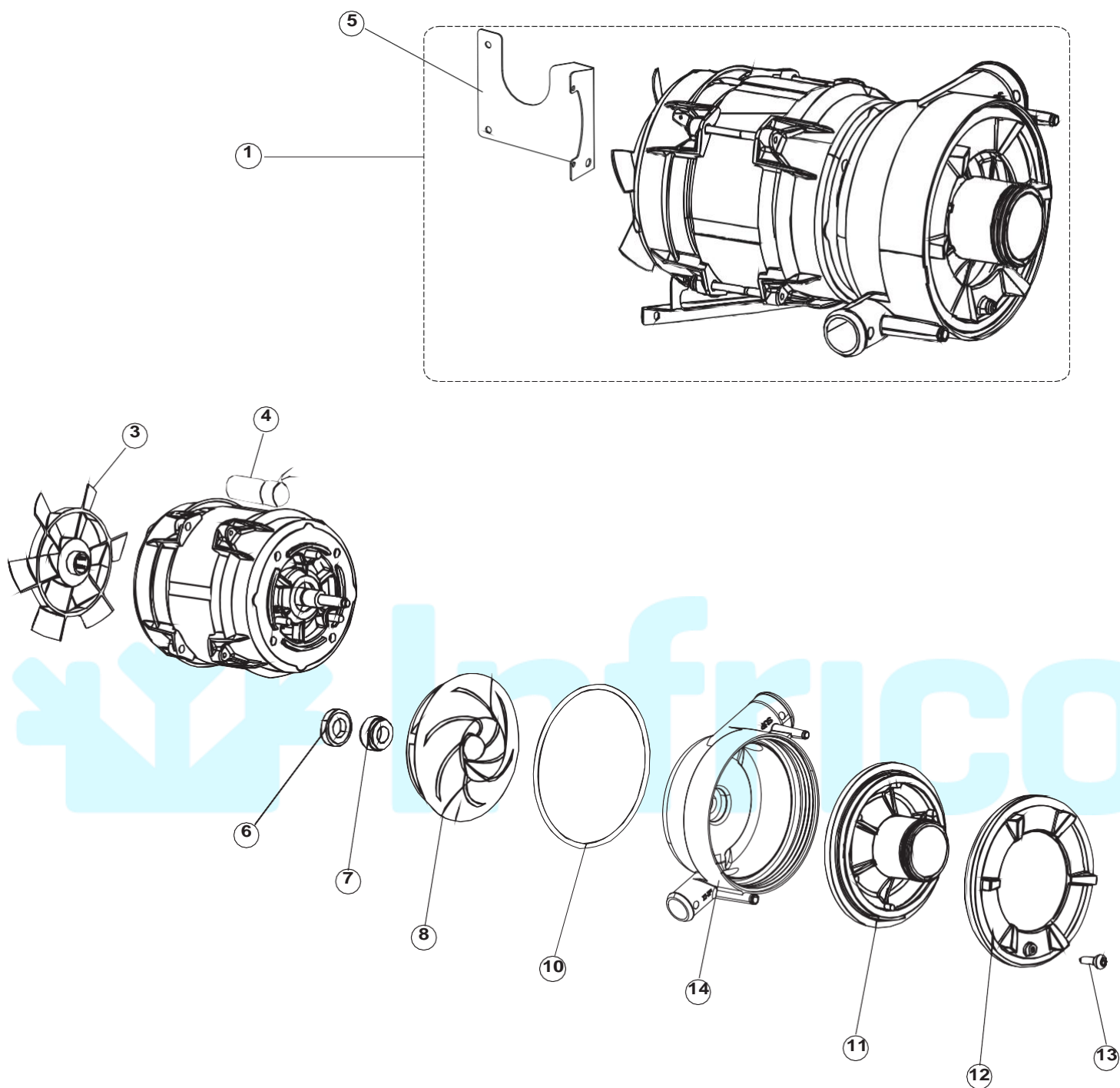


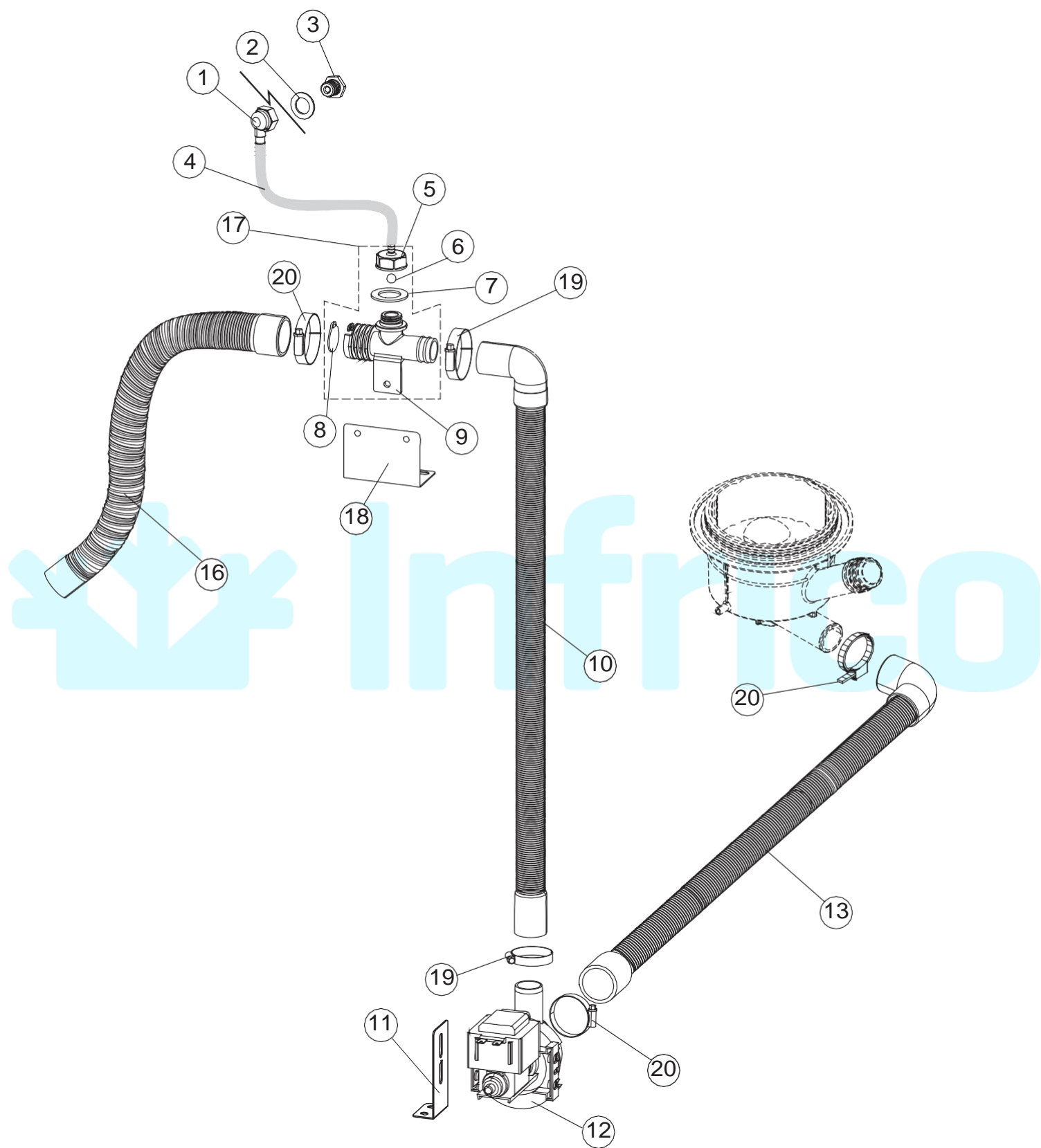












(*) Recommended spare part.

| Page | Spare part position | Spare part code no. | Old code | Description | U.m. |
|------|---------------------|---------------------|----------|--|------|
| 1 | 1 | K74141 | | STANDARD HOOD FOR HOOD-TYPE DISHWASHER | NR |
| 1 | 2 | 927088 | | MAGNET FOR HOOD MICROSWITCH | NR |
| 1 | 3 | 70212 | | SPACER | NR |
| 1 | 4 | 80998 | | SCREW | NR |
| 1 | 5 | 74068 | | HOOD DRIVE | NR |
| 1 | 6 | 80638 | | TOP BACK PANEL | NR |
| 1 | 7 | 74162 | | BACK PANEL | NR |
| 1 | 8 | 80275 | | COIL HOOKING BRACKET - COMPLETE | NR |
| 1 | 9 | 80277 | | SPRING HOOKING SLIDE | NR |
| 1 | 10 | 926007 | | EXTENSION STEEL SPRING FOR DISHWASHER | NR |
| 1 | 11 | 80190 | | BRACKET | NR |
| 1 | 12 | 926009 | | SPRING ADJUSTMENT HOOK | NR |
| 1 | 13 | 74923 | | HOLDER TENSION SPRING | NR |
| 1 | 14 | 80105 | | HOOD / DOOR STOP | NR |
| 1 | 15 | 74521 | | HANDLE NH/GH50 | NR |
| 1 | 16 | 41042 | | ADHESIVE PLUG | NR |
| 1 | 17 | K80240 | | RACK FRAME | NR |
| 1 | 18 | 69571 | | LEFT SIDE PANEL | NR |
| 1 | 19 | 69572 | | RIGHT SIDE PANEL | NR |
| 1 | 20 | 80078 | | SUPPORT BRACKET | NR |
| 1 | 21 | 73100 | | FOOT | NR |
| 1 | 22 | 74552 | | FRONT PANEL | NR |
| 1 | 23 | 70208 | | LEFT LEVER HOOD | NR |
| 1 | 24 | 70209 | | RIGHT LEVER HOOD | NR |
| 2 | 1 | 74043 | | WIRING PANEL | NR |
| 2 | 3 | 215042-7 | | MAIN BOARD GET50.2 | NR |
| 2 | 4 | 229042 | | AUXILIARY CONTACT | NR |
| 2 | 7 | 73350 | | CONTACTOR | NR |
| 2 | 10 | 220011 | | TERMINAL BLOCK | NR |
| 2 | 11 | 228010 | | FUSE | NR |
| 2 | 18 | 80934 | | FLAT CABLE | NR |
| 2 | 19 | 74902 | | CONTROL KEYBOARD | NR |

(*) Recommended spare part.

| Page | Spare part position | Spare part code no. | Old code | Description | U.m. |
|------|---------------------|---------------------|----------|-------------------------------------|------|
| 2 | 20 | 419036 | | INTERFACE BOARD DISTANCE KEEPERS | NR |
| 2 | 21 | 417119 | | NUT | NR |
| 2 | 22 | 74766 | | CONTROL ADHESIVE INTERFACE | NR |
| 2 | 23 | CWP2 | | FOOT | NR |
| 2 | 24 | DEP521 | | CABLE GLAND | NR |
| 2 | 25 | 80997 | | POWER CABLE | NR |
| 2 | 26 | 80731 | | PVC CURTAIN FOR ELECTRIC PROTECTION | NR |
| 2 | 28 | 74935 | | FUSE-HOLDER | NR |
| 2 | 29 | H.228048 | | PRICE TO BE DEFINED | |
| 2 | 30 | 228010 | | FUSE | NR |
| 2 | 31 | 216029 | | PILOT LAMP | NR |
| 2 | 35 | 80804 | | DOUBLE SWITCH | NR |
| 2 | 37 | 226126 | | PUSH BUTTON CASE | NR |
| 2 | 38 | 227064 | | BUTTON | NR |
| 2 | 45 | 226095 | | DOUBLE CONTACT PUSH-BUTTON | NR |
| 3 | 1 | 121123 | | STAINER | NR |
| 3 | 2 | 74168 | | BOILER HEATING ELEMENT 2100W 230V | NR |
| 3 | 3 | 437086 | | PACKING OF THE TANK RESISTANCE | NR |
| 3 | 4 | 80871 | | MAGNETIC DOOR SWITCH | NR |
| 3 | 5 | 236061 | | THERMOSTAT 127 | NR |
| 3 | 6 | 236052 | | THERMOSTAT 90+/-3C | NR |
| 3 | 8 | 74052 | | BRACKET | NR |
| 3 | 9 | 999348 | | DETERGENT TANK FITTING | NR |
| 3 | 10 | 143194 | | PIPE | MT |
| 3 | 11 | 143258 | | "SANTOPRENE" PIPE | NR |
| 3 | 12 | 209043 | | DETERGENT DOSING PUMP | NR |
| 3 | 13 | 121993 | | FILTER AID DISPENSER | NR |
| 3 | 17 | 231016 | | TEMPERATURE PROBE | NR |
| 3 | 18 | H.775489-001 | | SUPPORT TEMPERATURE PROBE | NR |
| 3 | 19 | 107013 | | AIR TRAP FOR PRESSURE SWITCH | NR |
| 3 | 20 | 456073 | | O-RING | NR |
| 3 | 21 | 142058 | | OVERFLOW PIPE | NR |

(*) Recommended spare part.

| Page | Spare part position | Spare part code no. | Old code | Description | U.m. |
|------|---------------------|---------------------|----------|---------------------------|------|
| 3 | 22 | 456081 | | O-RING | NR |
| 3 | 23 | 121120 | | STAINER | NR |
| 3 | 24 | 429072 | | RING NUT | NR |
| 3 | 25 | 456076 | | O-RING | NR |
| 3 | 26 | 74073 | | ASPIRATION AND DRAIN BODY | NR |
| 3 | 27 | 127082 | | DELIVERY WASH HOSE | NR |
| 3 | 28 | CFS1 | | HOSE CLAMP | NR |
| 3 | 29 | 143252 | | DRAIN HOSE | NR |
| 3 | 30 | 143235 | | PIPE | MT |
| 3 | 31 | 224031 | | PRESSURE SWITCH | NR |
| 4 | 1 | 73178 | | MAINFOLD | NR |
| 4 | 2 | 80178 | | GASKET | NR |
| 4 | 3 | 80174 | | PIPE FITTING | NR |
| 4 | 4 | CFS1A | | HOSE CLAMP | NR |
| 4 | 5 | 69020 | | PIPE | NR |
| 4 | 6 | CFS1 | | HOSE CLAMP | NR |
| 4 | 7 | 69016 | | MAINFOLD | NR |
| 4 | 8 | 127085 | | DELIVERY WASH HOSE | NR |
| 4 | 9 | 423008 | | PRICE TO BE DEFINED | |
| 4 | 10 | 127082 | | DELIVERY WASH HOSE | NR |
| 4 | 11 | 74073 | | ASPIRATION AND DRAIN BODY | NR |
| 4 | 15 | 441009 | | GASKET | NR |
| 4 | 17 | 429073 | | RING NUT | NR |
| 4 | 18 | 437102 | | GASKET | NR |
| 4 | 21 | CGR3037 | | O-RING | NR |
| 5 | 1 | 69020 | | PIPE | NR |
| 5 | 2 | 80174 | | PIPE FITTING | NR |
| 5 | 3 | 927322 | | HOSE CLAMP | NR |
| 5 | 4 | 143010 | | RUBBER PIPE 12X19,5 | MT |
| 5 | 5 | 143268 | | JUNCTION "Y" | NR |
| 5 | 6 | 143277 | | INLET HOSE | NR |
| 5 | 7 | 69016 | | MAINFOLD | NR |

(*) Recommended spare part.

| Page | Spare part position | Spare part code no. | Old code | Description | U.m. |
|------|---------------------|---------------------|----------|--|------|
| 5 | 8 | 104060 | | BOILER | NR |
| 5 | 9 | 926189 | | CONTACT SAFETY-THERMOSTAT | NR |
| 5 | 10 | 456002 | | O-RING | NR |
| 5 | 11 | 231016 | | TEMPERATURE PROBE | NR |
| 5 | 12 | 230020C | | KIT HEATING ELEMENTS REB230020 (8KW) | NR |
| 5 | 13 | 69870 | | BOILER HEATING ELEMENT PROTECTION | NR |
| 5 | 14 | 423010 | | HOSE CLAMP | NR |
| 5 | 15 | 143005 | | LINEN RUBBER PIPE 5X12 - BLACK | MT |
| 5 | 16 | H.775601 | | PIPE | MT |
| 5 | 17 | 209042 | | DOSING PUMP | NR |
| 5 | 18 | 121993 | | FILTER AID DISPENSER | NR |
| 5 | 19 | 144010 | | NON RETURN VALVE (PART NR. REPLACED BY 144010NT) | |
| 5 | 19 | 144010NT | | NON-RETURN VALVE | NR |
| 5 | 20 | 240016 | | SOLENOID VALVE | NR |
| 5 | 21 | 437041 | | GASKET | NR |
| 5 | 30 | 74052 | | BRACKET | NR |
| 5 | 31 | 143261 | | HOSE | NR |
| 5 | 36 | 69871 | | PROBE HOLDER | NR |
| 6 | 1 | 80184 | | SEALING RING | NR |
| 6 | 3 | 325109 | | PIVOT | NR |
| 6 | 5 | 80348 | | COMPLETE WASH ARM | NR |
| 6 | 6 | 129080 | | COMPLETE RINSE ARM | NR |
| 6 | 8 | 80700 | | PIVOT | NR |
| 6 | 9 | 80697 | | RING NUT | NR |
| 6 | 10 | 69237 | | EXTENSION FOR STUD | NR |
| 6 | 12 | 437117 | | WASHER | NR |
| 6 | 13 | 454006 | | RING NUT | NR |
| 6 | 14 | 990128 | | RINSE AND WASH ARM | NR |
| 6 | 16 | 79044 | | WASHING ARM BUSH C600 | NR |
| 6 | 17 | 308031 | | RING NUT | NR |
| 7 | 1 | 74122 | | ELECTROPUMP | NR |
| 7 | 3 | 335015 | | WASHPUMP FUN | NR |

(*) Recommended spare part.

| Page | Spare part position | Spare part code no. | Old code | Description | U.m. |
|------|---------------------|---------------------|----------|------------------------------|------|
| 7 | 4 | 206002 | | CAPACITOR | NR |
| 7 | 5 | 69400 | | SUPPORT BRACKET | NR |
| 7 | 6 | 141008 | | WASHPUMP SHAFT SEAL | NR |
| 7 | 7 | 141009 | | WASHPUMP SHAFT SEAL | NR |
| 7 | 8 | 124057 | | ELECTROPUMP IMPELLER | NR |
| 7 | 10 | 456078 | | O-RING | NR |
| 7 | 11 | 480159 | | PLUG | NR |
| 7 | 12 | 429074 | | RING NUT | NR |
| 7 | 13 | 486242 | | SCREW | NR |
| 7 | 14 | 116041 | | ELECTROPUMP HOUSING | NR |
| 8 | 1 | 468165 | | UPPER RINSE PIPE CONNECTOR | NR |
| 8 | 2 | 75402 | | RINSE PIPE GASKET | NR |
| 8 | 3 | 429075 | | RING NUT | NR |
| 8 | 4 | H.775611-001 | | PIPE | MT |
| 8 | 5 | 468205 | | PIPE CONNECTION | NR |
| 8 | 6 | 476008 | | SPHERE | NR |
| 8 | 7 | 437083 | | GASKET | NR |
| 8 | 8 | 499092 | | DIAPHRAGM VALVE VENT | NR |
| 8 | 9 | 144022 | | DRAIN PUMP VENT VALVE | NR |
| 8 | 10 | 80702 | | DRAIN HOSE | NR |
| 8 | 11 | 80712 | | BRACKET | NR |
| 8 | 12 | 999363 | | DRAIN PUMP90- V 220/240- F50 | NR |
| 8 | 13 | 70097 | | DRAIN HOSE | NR |
| 8 | 16 | 143252 | | DRAIN HOSE | NR |
| 8 | 17 | 144991B | | DRAIN PUMP VENT VALVE | NR |
| 8 | 18 | 80637 | | SUPPORT BRACKET | NR |
| 8 | 19 | CFS18 | | HOSE CLAMP | NR |
| 8 | 20 | CFS1 | | HOSE CLAMP | NR |